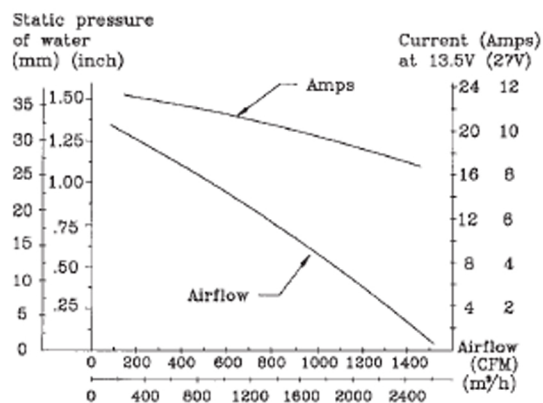
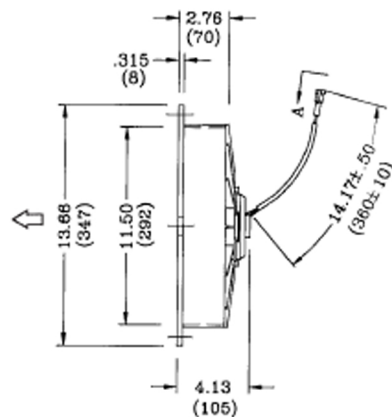
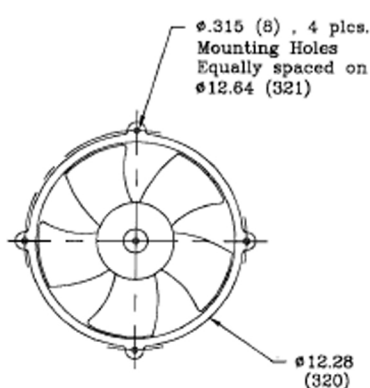
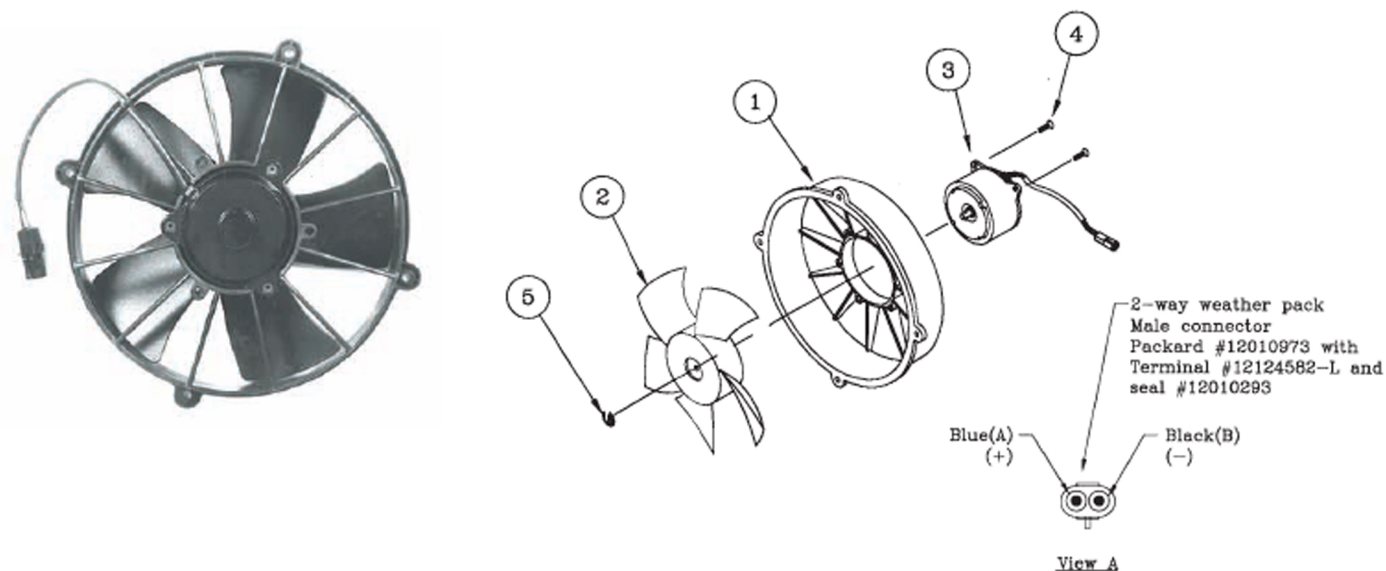


Blower Model 575



Part Descriptions: Specifications

Part No.	No.	Part No.	Description
15-7501	1	25-0577	Venturi
15-7502	2	25-0579	Fan
	3	25-0591	Motor 12V
		25-0592	Motor 24V
	4	29-0166	Screw
	5	29-0167	"C" Clip

Venture made of 30% G.F. polypropylene and fan made of 30% G.F. nylon.

Weight -5.2 lbs. (2.4 kg)

Features

The 575 is designed to deliver maximum performance using a single fan assembly. The durable 30% glass filled nylon construction ensures long life.