

# Connectors - High Current

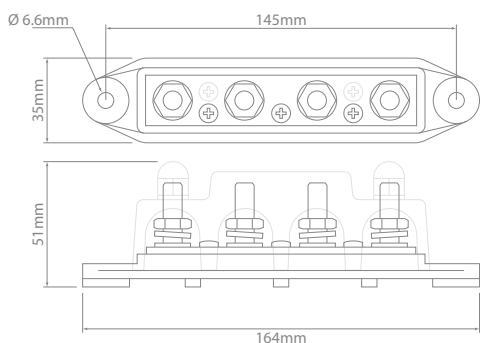
- Create reliable, trouble-free bussing points.
- Hook up positive/negative return lines to a single cable.
- Up to 12 stainless steel connection points.
- Hard wearing glass-filled nylon base.
- 12 point busbars supplied with cover and insulator.
- 1/4", 3/8", and M8 stud options.



Terminal Busbars

Posts :  
Connection Points :  
Base :

Stainless Steel  
Stainless Steel  
Glass-filled Nylon



4 x M8 studs &  
3 x #8-32  
connection points



## Terminal Busbars - 4 + 3 Point NEW

Colour	Current Rating (A)	Studs	Connection Points	Stud Height (mm)
Red	250	4 x M8	3 x #8-32	43
Black	250	4 x M8	3 x #8-32	43

15A per #8-32 screw connection point (3 in total).



# Connectors - High Current

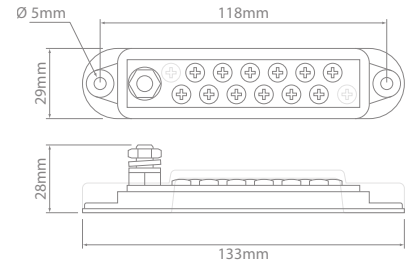


JB77012R

**NEW**



JB77012B



## Terminal Busbars – 12 Point **NEW**

Colour	Current Rating (A)	Stud (Inches)	Connection Points	Stud Height (mm)
Red	180	1 x 1/4"	12 x #8-32	28
Black	180	1 x 1/4"	12 x #8-32	28

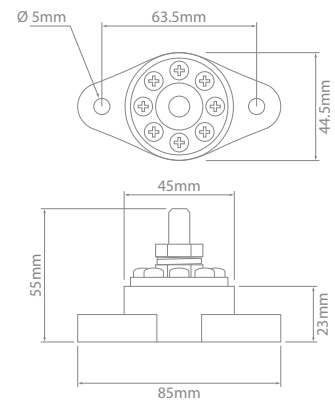
15A per #8-32 screw connection point (12 in total).  
Supplied with terminal insulator.



JB77837R



JB77837B



## Terminal Busbars – 8 Point

Colour	Current Rating (A)	Stud (Inches)	Connection Points	Stud Height (mm)
Red	160	3/8" 16 UNC	8 x #8-32	55
Black	160	3/8" 16 UNC	8 x #8-32	55

15A per #8-32 screw connection point (8 in total).