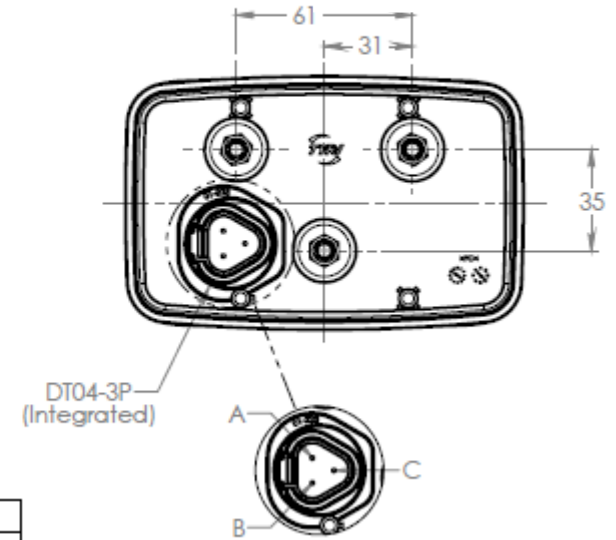
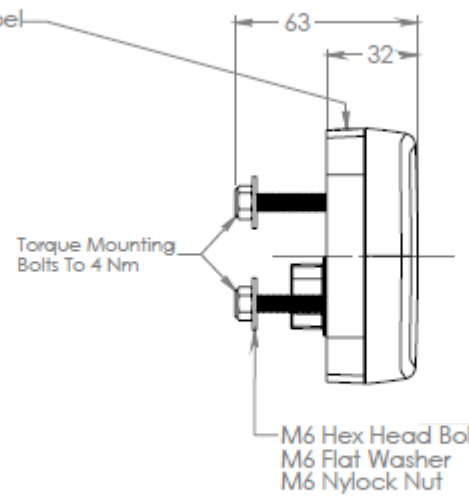


DETAIL A
SCALE 1:1



Beam Direction Indicators

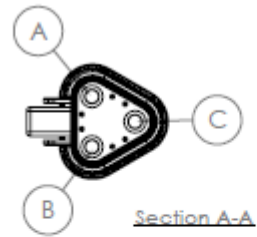
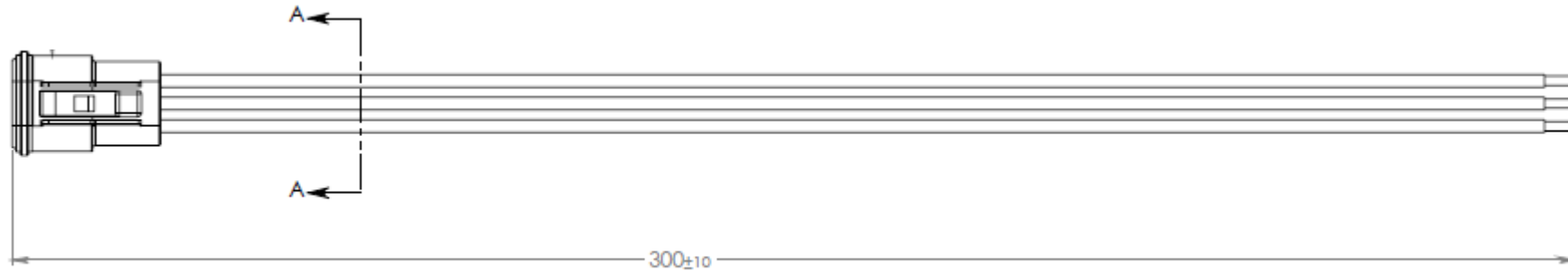


Part Number	Function	Lens Color	LED Color
60-027	Stop/Tail	Red	Red
61-009	Turn/Marker	Amber	Amber

Pin Designation		
	60-027	61-009
A	Stop	Turn
B	Clearance	Marker
C	Ground	Ground



Part Numbers 60-027-3 & 61-009-3 include light and harness (Page 2)



Wire Positions		
Pos	Color	Item
A	Red	4
B	White	6
C	Black	5