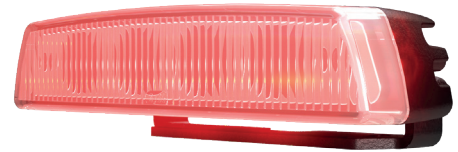




VL4 REDLINE

The VL4 RedLine is designed to display a visible red safety barrier, warning pedestrians of the danger zone. When mounted at a height of 2 meters, the RedLine projects an intense red line, extending 3 meters along the side of the machine as a visual barrier for pedestrians and other machinery.



Note: the lens of the RedLine is clear, the red light is emitted from LEDs

TECHNICAL DATA

- Housing Material:** Cast Aluminium
- Mounting Options:** Standing
Hanging
- vLens Material:** Polycarbonate
- Temperature range:** -40 to +85 °C
- Connector:** Deutsch (DT04-2P) built in.
Mating part: DT06-2S
- Weight:** 435 kg / 0.96 lb
- Light Patterns:** Line

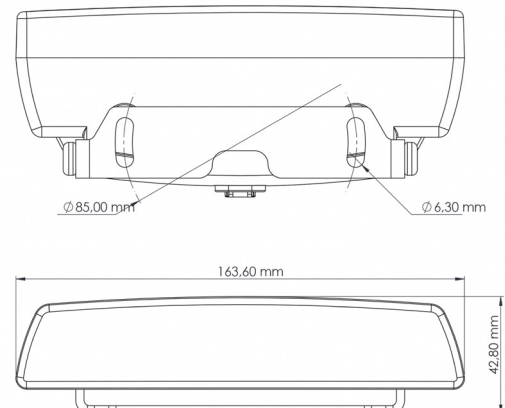
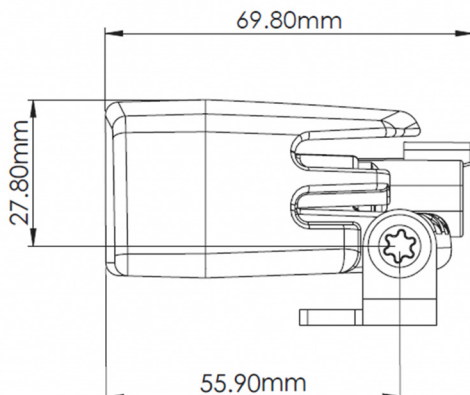
FEATURES

- Overheating Protection
- Over-voltage Protection
- Polarity Protection
- UL Optional

TEST STANDARDS

- Salt Spray ASTM B117 48 h
- Vibration 5-2000 Hz 3 Axis, 10 Grms
- Shock Tested 50 G 10 ms
- IP69K
- EMC EN55025 / CISPR 25 Class 3, ISO11452-2, EN61000-6-2

For further information visit www.tyrilights.com or contact your local sales team.





VL4 REDLINE

LIGHT INTENSITY	VOLTAGE		AMP DRAW		POWER	DOMINANT WAVELENGTH	LENS PATTERN	PART NO.	EMC	ECE
	Candela	Machine	Operating	12 V	24 V	Watts	nm		EN55025 / CISPR25	ECE Rating
1.300 cd	12-48 V	9-60 V	1.2 A	0.6 A	15 W	630 nm	RedLine	VL4-157-1	3	-

LED work lights are exposed to dirt, fertilizers, road salt, acids and more. For best performance and long lifetime, the lens and the cooling fins must be cleaned on a regular basis.