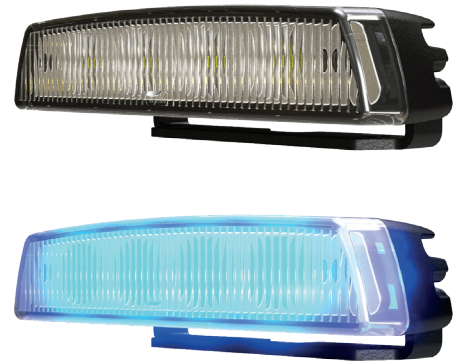




VL4 BLUELINE

The VL4 BlueLine is designed to display a visible blue safety barrier, alerting pedestrians to the danger zone. When mounted at a height of 2 meters, the BlueLine projects an intense blue line, extending 3 meters along the side of the machine as a visual barrier for pedestrians and other machinery.



Note: the lens of the BlueLine is clear, the blue light is emitted from LEDs

TECHNICAL DATA

- Housing Material:** Cast Aluminium
- Mounting Options:** Standing
Hanging
- Lens Material:** Polycarbonate
- Temperature range:** -40 to +85 °C
- Connector:** Deutsch (DT04-2P) built in.
Mating part: DT06-2S
- Weight:** 435 kg / 0.96 lb
- Light Patterns:** Line

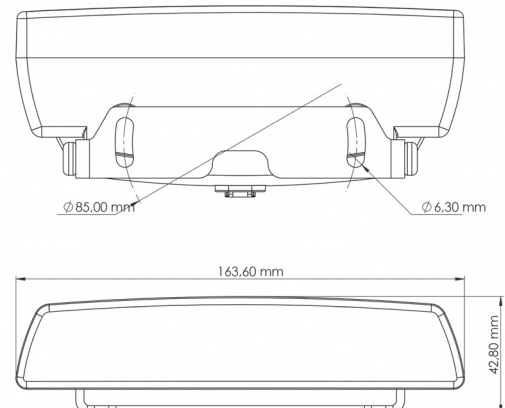
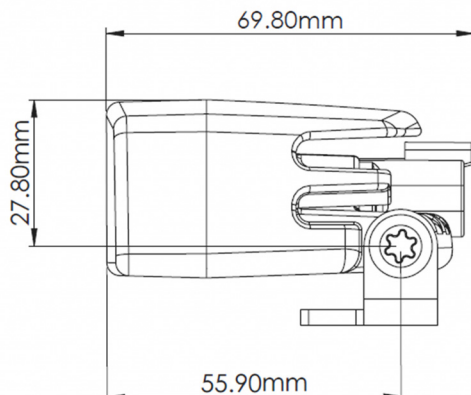
FEATURES

- Overheating Protection
- Over-voltage Protection
- Polarity Protection
- UL Optional

TEST STANDARDS

- Salt Spray ASTM B117 48 h
- Vibration 5-2000 Hz 3 Axis, 10 Grms
- Shock Tested 50 G 10 ms
- IP69K
- EMC EN55025 / CISPR 25 Class 3, ISO11452-2, EN61000-6-2

For further information visit www.tyriLights.com or contact your local sales team.





VL4 BLUELINE

LIGHT OUTPUT	VOLTAGE		AMP DRAW		POWER	COLOR TEMP	LENS PATTERN	PART NO.	EMC	ECE
Effective Lumen	Machine	Operating	12 V	24 V	Watts	K			EN55025 / CISPR25	ECE Rating
1.500 cd	12-48 V	9-60 V	1.2 A	0.6 A	15 W	475 nm	BlueLine	VL4-172-1	3	-

IEC/SS-EN 62471 | RISK GROUP 2

CAUTION: Possibly hazardous optical radiation emitted from this product.
Do not stare at operating lamp. May be harmful to the eye.

It is important to remember, LED work lights are no more hazardous than other lighting technologies with the same correlated colour temperature (CCT).

TYRI complies with the IEC/SS-EN 62471 standard with the addition of the warning label on the product.

LED work lights are exposed to dirt, fertilizers, road salt, acids and more. For best performance and long lifetime, the lens and the cooling fins must be cleaned on a regular basis.