



# D18

The D18 is an extremely powerful round LED work light in a heavy duty housing and used in the off-road sector with additional vibration and shock dampers for uneven ground conditions as standard. This work light boasts a large heat sink for effective thermal management and is available with a 5.700 K color temperature.

Available with matching light cover for use when vehicle is travelling on-road.



## TECHNICAL DATA

- Housing Material:** Cast Aluminium
- Mounting Options:** Hanging  
Standing
- Lens Material:** Polycarbonate
- Temperature range:** -40 to +85 °C
- Connector:** Deutsch (DT04-2P) built in.  
Mating part: DT06-2S
- Weight:** 3.1 kg / 6.83 lb
- Light Patterns:** Narrow Symmetric

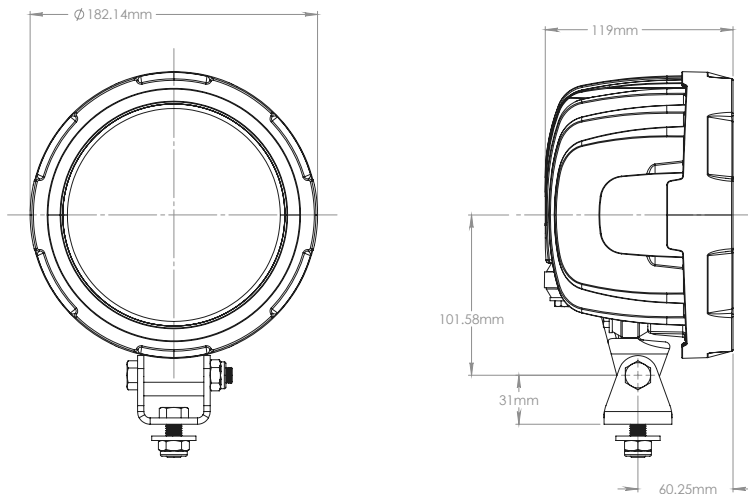
## FEATURES

- Overheating Protection
- Over-voltage Protection
- Polarity Protection
- Dampened
- UL Optional

## TEST STANDARDS

- Salt Spray ASTM B117 96 h
- Vibration 5-2000 Hz 3 Axis, 5 Grms
- Shock Tested 50 G 11 ms
- IP69K
- EN55025 / CISPR 25 Class 5  
ISO 11452-2 / ISO 11452-4  
ISO 16750-2 / ISO 10605 / ISO 7637-2

For further information visit [www.tyrilights.com](http://www.tyrilights.com) or contact your local sales team.



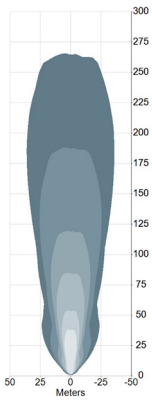


# D18

| LIGHT OUTPUT | VOLTAGE         |         | AMP DRAW  |       | POWER | COLOR TEMP | LENS PATTERN     | PART NO.  | EMC | ECE               |
|--------------|-----------------|---------|-----------|-------|-------|------------|------------------|-----------|-----|-------------------|
|              | Effective Lumen | Machine | Operating | 12 V  | 24 V  | Watts      |                  |           | K   | EN55025 / CISPR25 |
| 8.000 eLm    | 12-24 V         | 9-32 V  | 8.7 A     | 4.4 A | 105 W | 5.700 K    | Narrow Symmetric | KLD-107-1 | 5   | -                 |

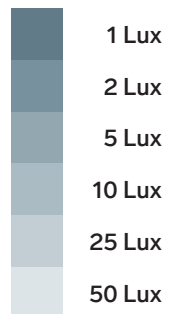
## TYPICAL LIGHT PATTERNS

Example for D18 / 8.000 effective lumen.



### D18 / 8.000 eLm

Narrow, 0-30°  
3.0 m / -15°  
Symmetric



LED work lights are exposed to dirt, fertilizers, road salt, acids and more. For best performance and long lifetime, the lens and the cooling fins must be cleaned on a regular basis.