



BASEline™ S1

The BASEline range is a new affordable professional lighting solution from TYRI, designed to improve work environments and task performance. This light allows you to venture into LED technology with a high-quality product made in accredited facilities.

Available with up to 1.100 effective lumen output and tested to TYRI's high standards, this light will illuminate your way to upgrading your halogen solution.



TECHNICAL DATA

- Housing Material:** Plastic
- Mounting Options:** Hanging
Standing
- Lens Material:** Polycarbonate
- Temperature range:** -40 to +85 °C
- Connector:** Deutsch (DT04-2P) built in.
Mating part: DT06-2S
- Weight:** 350 g / 0.77 lb
- Light Patterns:** Medium Symmetric

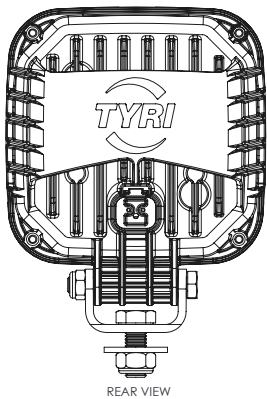
FEATURES

- Overheating Protection
- Over-voltage Protection
- Polarity Protection
- UL Optional

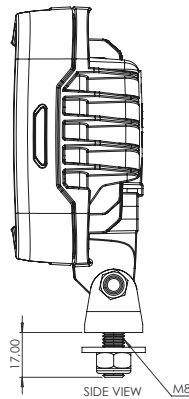
TEST STANDARDS

- Salt Spray ASTM B117 500 h
- Vibration 5-2000 Hz 3 Axis, 10 Grms
- Shock Tested 50 G 11 ms
- IP IP69K
- EMC EN55025 / CISPR 25 Class 5, ISO7637-2, ISO16750-2, ISO10605, ISO11452-2, ISO11452-4, EN61000-4-2, EN61000-4-3, EN61000-4-4, EN61000-6-2, EN61000-6-3
- ECE R148 (R23)

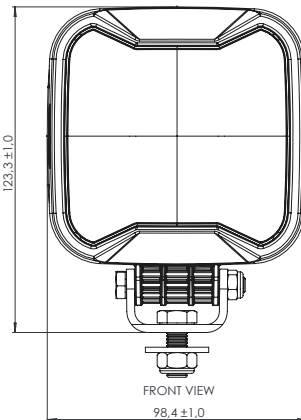
For further information visit www.tyriights.com or contact your local sales team.



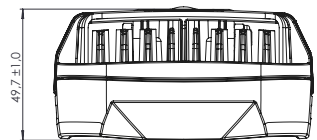
REAR VIEW



SIDE VIEW



FRONT VIEW



49.7 ±1.0

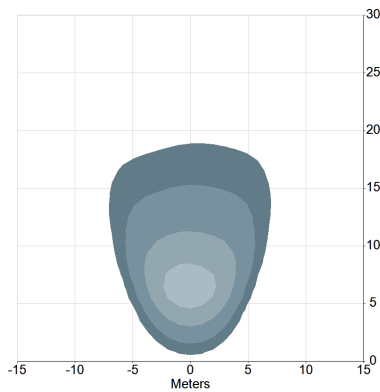


BASEline™ S1

LIGHT OUTPUT	VOLTAGE		AMP DRAW		POWER	COLOR TEMP	LENS PATTERN	PART NO.	EMC	ECE
	Machine	Operating	12 V	24 V					Watts	K
700 eLm	12 V	9-16 V	0.9 A	-	13 W	5.700 K	Medium Symmetric	BS01-0005-1	5	R148
700 eLm	24 V	18-32 V	-	0.5 A	13 W	5.700 K	Medium Symmetric	BS01-0006-1	5	R148
1.100 eLm	12 V	9-16 V	1.1 A	-	13 W	5.700 K	Medium Symmetric	BS01-0001-1	5	R148
1.100 eLm	24 V	18-32 V	-	0.6 A	15 W	5.700 K	Medium Symmetric	BS01-0004-1	5	R148

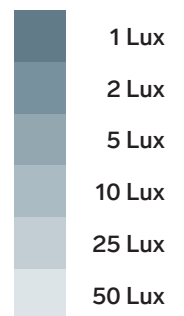
TYPICAL LIGHT PATTERNS

Example for BASEline S1 / 1.100 effective lumen.



BASEline S1 / 1 100 eLm

Medium, 31 - 45°
3.0 m / -15°
Symmetric



LED work lights are exposed to dirt, fertilizers, road salt, acids and more. For best performance and long lifetime, the lens and the cooling fins must be cleaned on a regular basis.