



BASEline™ R2 SWIVEL

BASEline R2 Swivel is an LED work light with a fresh design and a swivel side mounting bracket. This bracket allows the work light to be effortlessly adjusted to different positions for customized illumination of the work area.

Thanks to its high lumen output, it can be utilized for telehandlers, construction, and agricultural machines. It boasts the highest EMC class rating to prevent radio interference.



TECHNICAL DATA

- Housing Material:** Cast Aluminium
- Mounting Options:** Side
- Lens Material:** PC
- Temperature range:** -40 to +85 °C
- Connector:** Deutsch (DT04-2P) built in.
Mating part: DT06-2S
- Weight:** 470 g / 1.04 lb
- Light Patterns:** Medium Asymmetric

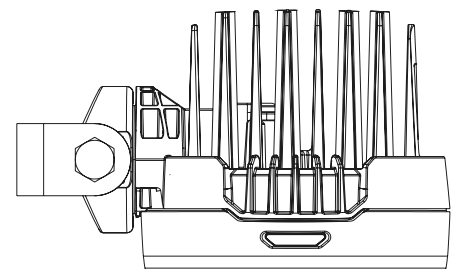
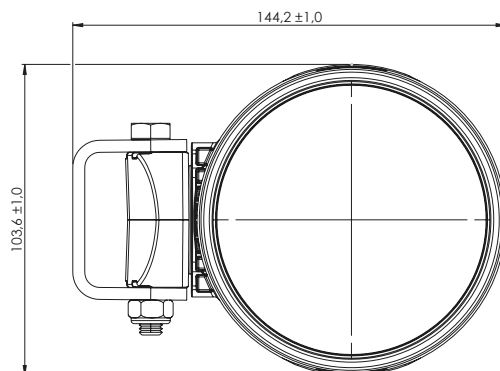
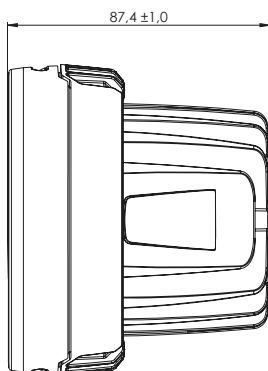
FEATURES

- Overheating Protection
- Over-voltage Protection
- Polarity Protection

TEST STANDARDS

- Salt Spray ASTM B117 48 h
- Vibration 5-2000 Hz 3 Axis, 8 Grms
- Shock Tested 50 G 10 ms
- IP69K
- EN55025 / CISPR 25 Class 5, ISO 7637-2, ISO16750-2, ISO-10605, ISO11452-2, ISO-11452-4, EN61000-4-2, EN55015

For further information visit www.tyrilights.com or contact your local sales team.



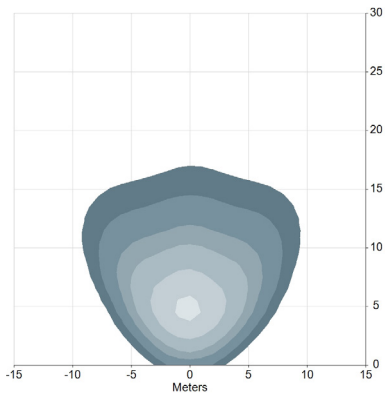


BASEline™ R2 SWIVEL

LIGHT OUTPUT	VOLTAGE		AMP DRAW		POWER	COLOR TEMP	LENS PATTERN	PART NO.	EMC	ECE
	Machine	Operating	12 V	24 V	Watts	K			EN55025 / CISPR25	ECE Rating
2.800 eLm	12 V	9-16 V	2.8 A	- A	39 W	5.700 K			5	-
2.800 eLm	24 V	18-32 V	- A	1.4 A	39 W	5.700 K			5	-

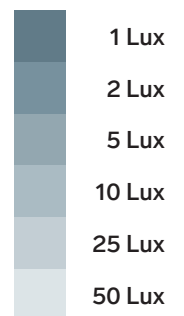
TYPICAL LIGHT PATTERNS

Example for BASEline R2 Swivel / 2.800 effective lumen



BASEline R2 Swivel / 2.800 eLm

Medium, 31 - 45°
3.0 m / -15°
Asymmetric



LED work lights are exposed to dirt, fertilizers, road salt, acids and more. For best performance and long lifetime, the lens and the cooling fins must be cleaned on a regular basis.