



# BEACONS



Permanent Mount Only

## 7960 Pulse™ SAE Class I LED

ECCO's 7960 Series LED beacons feature 16 of the latest high-intensity 3-watt LEDs, providing the brightest light output available in an LED beacon. Eleven flash patterns and hi/lo intensity control combine with a long maintenance-free service life and low-amp draw to make this beacon the perfect choice for any application. Easily replaces old rotating or strobe beacons with the latest technology, so no ongoing maintenance is required.

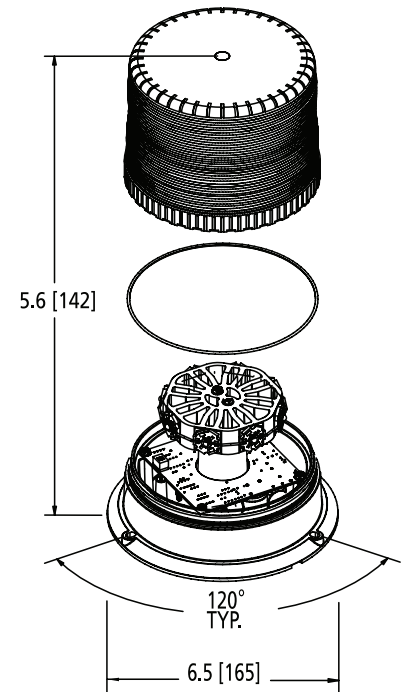
### Models

PART NO.	VOLTAGE	AMPS	MOUNT
7960X	12-24	3.7	3 Bolt Flange/1" Pipe
7960CX	12-24	3.7	3 Bolt Flange/1" Pipe
7960X-VM	12-24	3.7	Vacuum Magnet
7960CX-VM	12-24	3.7	Vacuum Magnet

Replace X in part number with desired color: A = amber, B = blue, C = clear, R = red

### Features and Benefits

- 16 3-watt LEDs provide unrivalled flash intensity
- 11 flash patterns with hi/lo intensity control
- Die-cast aluminum base is coated against corrosion and designed for vibration resistance and heat dissipation (permanent mount versions are epoxy filled)
- Thread-on polycarbonate lens
- Reverse polarity, voltage spike and surge protected
- Temperature Range: -22°F to +122°F (-30°C to +50°C)



### Parts & Accessories

- Lenses: Amber - R7960LA  
Clear - R7960LC