



1323

The 1323 LED is an extremely powerful LED work light delivering up to a massive 16.500 effective lumen output. The curved design and mounting options of 60° trunnion mount ensure this work light is suitable for multiple applications and installation choices.

Used on fire-fighting vehicles, boat cranes and other cranes, material handlers, light masts for generators, mining machines and more with a colour temperature of 4.000 K.



TECHNICAL DATA

- Housing Material:** Cast Aluminium
- Mounting Options:** Hanging
Standing
- Lens Material:** Grilamid & Glasscoated
- Temperature range:** -40 to +85 °C
- Connector:** Deutsch (DT04-2P) built in.
Mating part: DT06-2S
- Weight:** 4.7 kg / 10.4 lb
- Light Patterns:** Medium Symmetric
Wide Symmetric

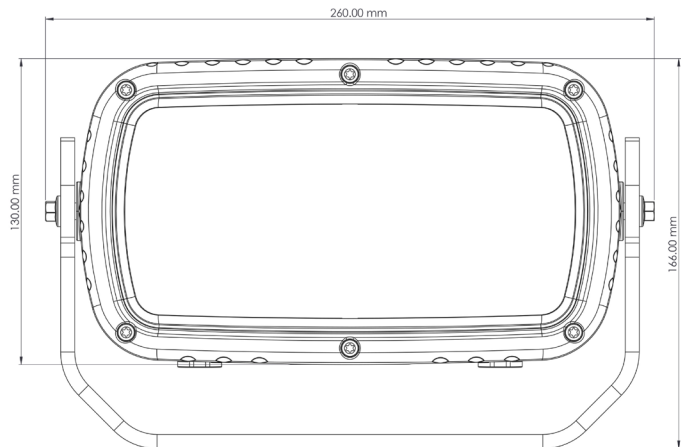
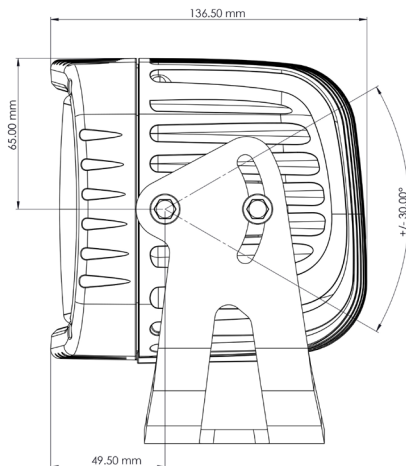
FEATURES

- Overheating Protection
- Over-voltage Protection
- Polarity Protection

TEST STANDARDS

- Salt Spray ASTM B117 500 h
- Vibration 5-2000 Hz 3 Axis, 10 Grms
- Shock Tested 50 G 11 ms
- IP67
- EN55025 / CISPR 25 Class 4,
ISO 11452-2 / ISO 11452-4 / ISO16750-2 / ISO 10605 / ISO 7637-2
- R10

For further information visit www.tyrilights.com or contact your local sales team.



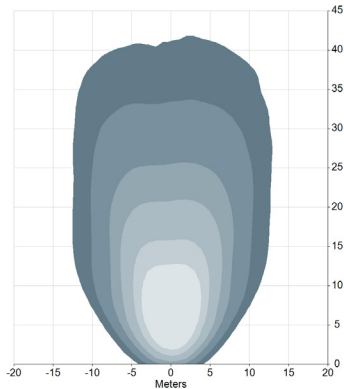


1323

LIGHT OUTPUT	VOLTAGE		AMP DRAW		POWER	COLOR TEMP	LENS PATTERN	PART NO.	EMC	ECE
	Effective Lumen	Machine	Operating	12 V	24 V	Watts			K	EN55025 / CISPR25
16.500 eLm	24 V	18-32 V	-	6.2 A	150 W	4.000 K	Medium Symmetric	JLU-001-1	4	R10

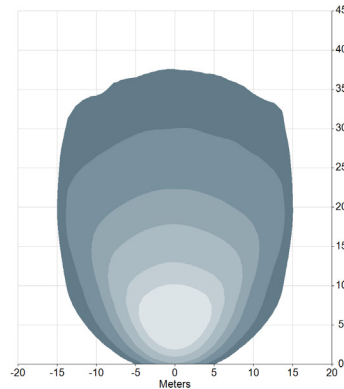
TYPICAL LIGHT PATTERNS

Example for 1323 / 16.500 effective lumen.



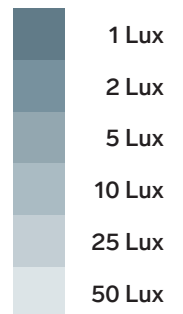
1323 / 16.500 eLm

Medium, 31 - 45°
3.0 m / -15°
Symmetric



1323 / 16.500 eLm

Wide, 45° +
3.0 m / -15°
Symmetric



LED work lights are exposed to dirt, fertilizers, road salt, acids and more. For best performance and long lifetime, the lens and the cooling fins must be cleaned on a regular basis.