



1010 CURVE

The Curve series, which has a more compact housing than the 1010 family, is a great option when space is limited. Standard vibration dampers are included, providing an advantage when the ground is uneven. The 1010 Curve is suitable for use on forklift trucks and demolition robots where less light output is required. It is also used on large construction machinery and in other applications.



TECHNICAL DATA

- Housing Material:** Cast Aluminium
- Mounting Options:** Hanging
Standing
- Lens Material:** Clear & Yellow PC
- Temperature range:** -40 to +85 °C
- Connector:** Deutsch (DT04-2P) built in.
Mating part: DT06-2S
- Weight:** 616 g / 1.36 lb
- Light Patterns:** Narrow Symmetric
Medium Symmetric
Wide Symmetric
Medium Asymmetric

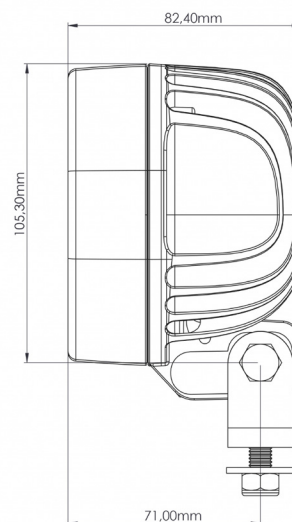
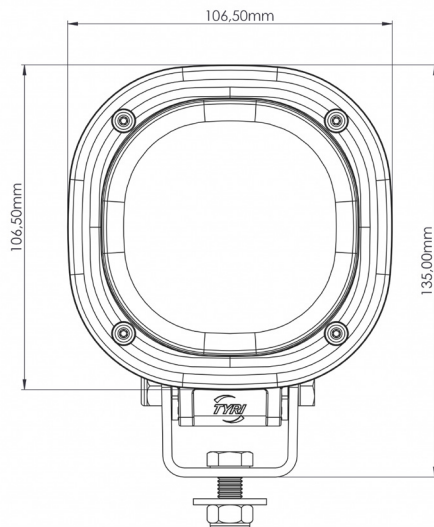
FEATURES

- Overheating Protection
- Over-voltage Protection
- Polarity Protection
- Dampened
- UL Optional
- Wide Asymmetric
- High Beam
- Spot
- Fog

TEST STANDARDS

- Salt Spray ASTM B117 500 h
- Vibration 5-2000 Hz 3 Axis, 10 Grms
- Shock Tested 50 G 11 ms
- IP69K
- EN55025 / CISPR 25 Class 4 & 5, ISO7637-2, ISO10605, ISO16750-2, ISO11452-2, ISO11452-4
- R10, R23

For further information visit www.tyrilights.com or contact your local sales team.





1010 CURVE

LIGHT OUTPUT	VOLTAGE		AMP DRAW		POWER	COLOR TEMP	LENS PATTERN	PART NO.	EMC	ECE
	Machine	Operating	12 V	24 V					Watts	K
850 eLm	12-48 V	9-60 V	1.4 A	0.7 A	17 W	5.700 K	Medium Symmetric	CLD-581-1	4	R10
							Wide Symmetric	CLD-120-1		
							Wide Asymmetric	CLD-254-1		
							High Beam	CLD-255-1		
							Spot	CLD-235-1		
Fog	CLD-256-1									
1.400 eLm	12 V	9-16 V	1.8 A	-	22 W	5.700 K		5	-	
1.400 eLm	24 V	18-32 V	-	0.9 A	22 W	5.700 K		5	-	
1.450 eLm	12-48 V	9-60 V	2.5 A	1.3 A	30 W	5.700 K	Medium Symmetric	CLD-582-1	5	-
							Wide Symmetric	CLD-131-1		
							Wide Asymmetric	CLD-236-1		
							High Beam	CLD-237-1		
							Spot	CLD-211-1		
Fog	CLD-253-1									
1.850 eLm	12 V	9-16 V	2.3 A	-	29 W	5.700 K		5	-	
1.850 eLm	24 V	18-32 V	-	1.2 A	29 W	5.700 K		5	-	
1.900 eLm	12-48 V	9-60 V	2.5 A	1.3 A	30 W	5.700 K	Medium Symmetric	CLD-821-1	5	-
							Wide Symmetric	CLD-816-1		
							Wide Asymmetric	CLD-818-1		
							High Beam	CLD-819-1		
							Spot	CLD-817-1		
Fog	CLD-820-1									
2.000 eLm	12 V	9-16 V	2.2 A	-	35 W	5.700 K		5	-	
2.000 eLm	24 V	18-32 V	-	1.3 A	35 W	5.700 K		5	-	
2.500 eLm	12 V	9-16 V	1.9 A	-	23 W	5.700 K		5	-	
2.500 eLm	24 V	18-32 V	-	1.1 A	26 W	5.700 K		5	-	
2.500 eLm	12-48 V	9-60 V	2.8 A	1.4 A	33 W	5.700 K		5	-	

LED work lights are exposed to dirt, fertilizers, road salt, acids and more. For best performance and long lifetime, the lens and the cooling fins must be cleaned on a regular basis.