



1010 XP-9

The popular 1010 has had a sleek new update with the 1010 XP-9. This popular product is still as adaptable as the original, but now has an improved design which eliminates stray light providing even more effective light in front where you need it.

Available in 2.500 to 4.000 effective lumen options and tested to achieve the highest ratings. Vibration dampers are standard and an advantage when ground conditions cause increased vibration and shock.



TECHNICAL DATA

- Housing Material:** Cast Aluminium
- Mounting Options:** Hanging
Standing
- Lens Material:** Grilamid, PC & Hardened Glass
- Temperature range:** -40 to +85 °C
- Connector:** Deutsch (DT04-2P) built in.
Mating part: DT06-2S
- Weight:** 1.15 kg / 2.54 lb
1.1 kg / 2.42 lb
1.23 kg / 2.71 lb

FEATURES

- Overheating Protection
- Over-voltage Protection
- Polarity Protection
- Dampened

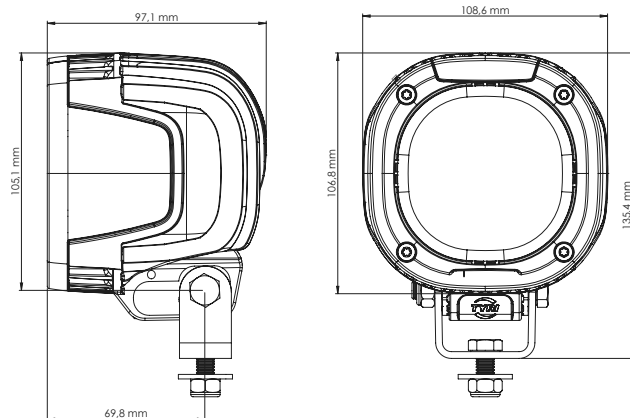
- Light Patterns:** Narrow Symmetric
Medium Symmetric
Wide Symmetric
Medium Asymmetric
Wide Asymmetric
High Beam
Spot
Fog

TEST STANDARDS

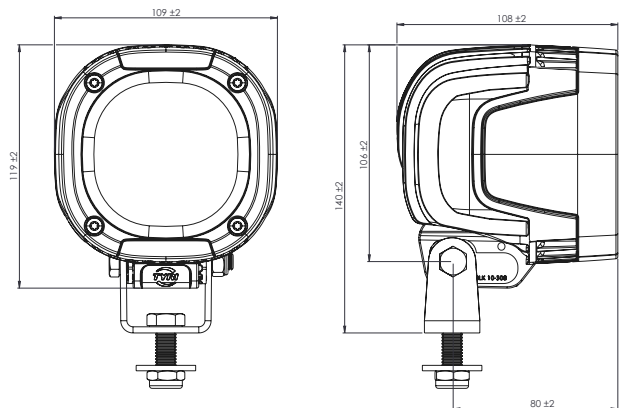
- Salt Spray ASTM B117 500 h
- Vibration 5-2000 Hz 3 Axis, 10 Grms
- Shock Tested 50 G 11 ms
- IP** IP69K
- EMC** EN55025 / CISPR 25 Class 5
ISO7636-2, ISO10605, ISO11452-2,
ISO11452-4, ISO16750-2
- ECE** R10

For further information visit www.tyrilights.com or contact your local sales team.

PC & Grilamid



Hardened glass





1010 XP-9

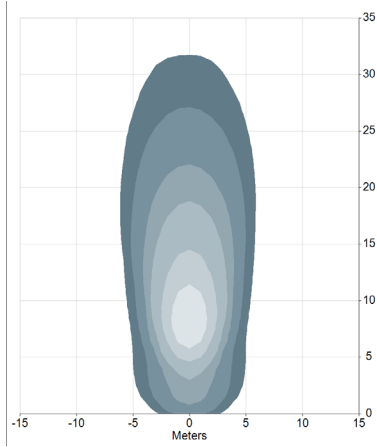
LIGHT OUTPUT	VOLTAGE		AMP DRAW		POWER	COLOR TEMP	LENS PATTERN	PART NO.	EMC	ECE
	Machine	Operating	12 V	24 V					Watts	K
2.000 eLm	12-48 V	9-60 V	3.2 A	1.6 A	38 W	4.200 K	Medium Symmetric	CLD-578-1	5	-
							Wide Symmetric	CLD-562-1		
							Wide Asymmetric	CLD-563-1		
							High Beam	CLD-564-1		
							Spot	CLD-565-1		
Fog	CLD-566-1									
2.300 eLm	12-48 V	9-60 V	3.2 A	1.6 A	38 W	5.000 K	Medium Symmetric	CLD-579-1	5	-
							Wide Symmetric	CLD-552-1		
							Wide Asymmetric	CLD-553-1		
							High Beam	CLD-554-1		
							Spot	CLD-555-1		
Fog	CLD-556-1									
2.500 eLm	12 V	9-16 V	1.9 A	-	23 W	5.700 K		5	R10	
2.500 eLm	24 V	18-32 V	-	1.1 A	26 W	5.700 K		5	R10	
2.500 eLm	12-48 V	9-60 V	3.2 A	1.5 A	38 W	5.700 K	Medium Symmetric	CLD-574-1	5	R10
							Wide Symmetric	CLD-557-1		
							Wide Asymmetric	CLD-558-1		
							High Beam	CLD-559-1		
							Spot	CLD-560-1		
Fog	CLD-561-1									
2.800 eLm	12-48 V	9-60 V	2.2 A	1.1 A	26 W	5.700 K		5	R10	
3.200 eLm	12 V	9-16 V	3.3 A	-	40 W	5.700 K		5	R10	
3.200 eLm	24 V	18-32 V	-	1.7 A	40 W	5.700 K		5	R10	
3.200 eLm	12-48 V	9-60 V	3.0 A	1.5 A	36 W	5.700 K	Medium Symmetric	CLD-573-1	5	-
							Wide Symmetric	CLD-447-1		
							Wide Asymmetric	CLD-480-1		
							High Beam	CLD-481-1		
							Spot	CLD-488-1		
Fog	CLD-489-1									
4.000 eLm	12 V	9-16 V	3.7 A	-	50 W	5.700 K		5	R10	
4.000 eLm	24 V	18-32 V	-	2.1 A	50 W	5.700 K		5	R10	
4.000 eLm	12-48 V	9-60 V	3.8 A	1.9 A	45 W	5.700 K	Medium Symmetric	CLD-580-1	5	-
							Wide Symmetric	CLD-479-1		
							Wide Asymmetric	CLD-482-1		
							High Beam	CLD-483-1		
							Spot	CLD-490-1		
Fog	CLD-491-1									



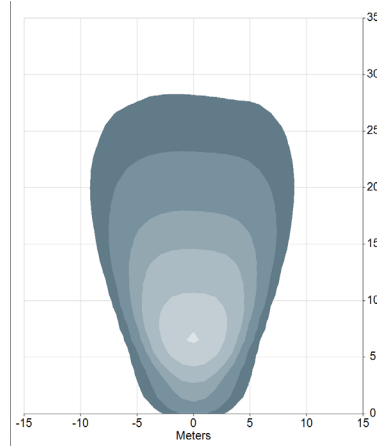
1010 XP-9

TYPICAL LIGHT PATTERNS

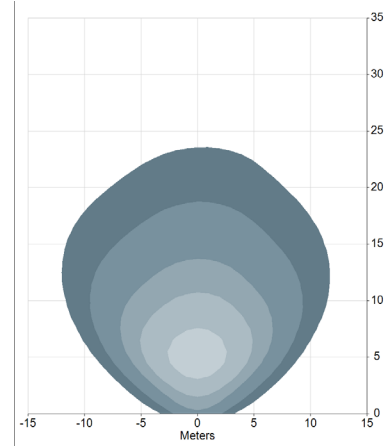
Example for 1010 XP-9 / 4.000 effective lumen



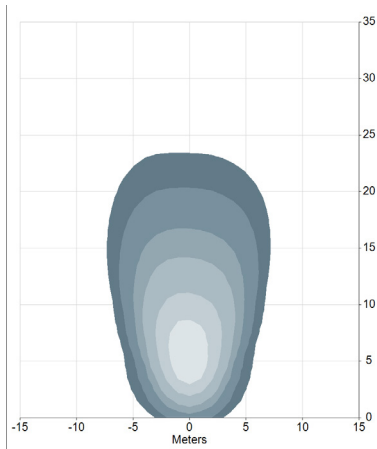
1010 XP-9 / 4.000 eLm
Narrow, 0-30°
3.0 m / -15°
Symmetric



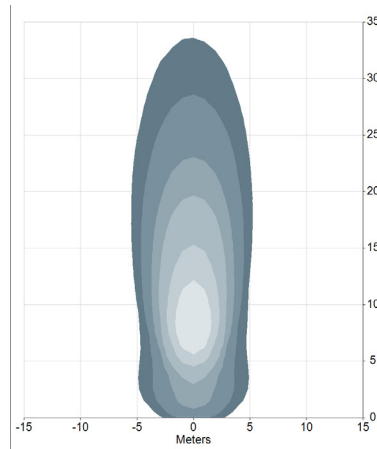
1010 XP-9 / 4.000 eLm
Medium, 31 - 45°
3.0 m / -15°
Symmetric



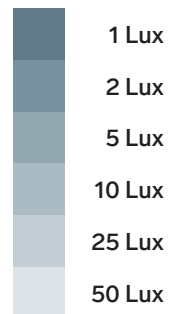
1010 XP-9 / 4.000 eLm
Wide, 45° +
3.0 m / -15°
Symmetric



1010 XP-9 / 4.000 eLm
Medium, 31 - 45°
3.0 m / -15°
Asymmetric



1010 XP-9 / 4.000 eLm
Spot
3.0 m / -15°
Symmetric



LED work lights are exposed to dirt, fertilizers, road salt, acids and more. For best performance and long lifetime, the lens and the cooling fins must be cleaned on a regular basis.