



1010 RECESS

This work light features a distinctive mounting option that allows for the light to be recessed into the vehicle. The 1010 Recess, with a brightness of 2.500 lumens, can be installed in a closed housing unit without the need for cooling the rear flanges, thanks to its technical specifications.



TECHNICAL DATA

- Housing Material:** Cast Aluminium
- Mounting Options:** Recessed
- Lens Material:** PC & Grilamid
- Temperature range:** -40 to +75 °C
- Connector:** Deutsch (DT04-2P) built in.
Mating part: DT06-2S
- Weight:** 1.05 kg / 2.33 lb
- Light Patterns:** Narrow Symmetric
Medium Symmetric
Wide Symmetric
Medium Asymmetric
Wide Asymmetric

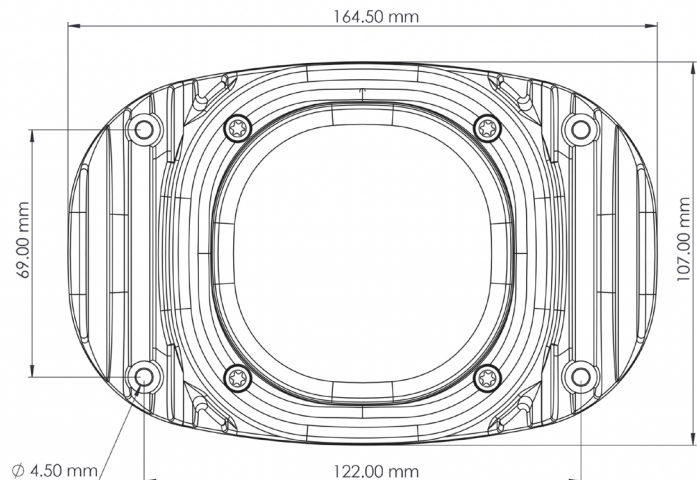
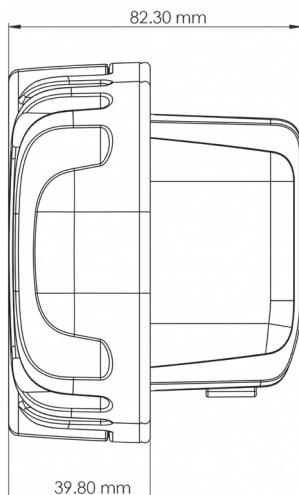
FEATURES

- Overheating Protection
- Over-voltage Protection
- Polarity Protection

TEST STANDARDS

- Salt Spray ASTM B117 500 h
- Vibration 5-2000 Hz 3 Axis, 10 Grms
- Shock Tested 50 G 11 ms
- IP69K
- EN55025 / CISPR 25 Class 5, ISO7637-2, ISO10605, ISO11452-2, ISO11452-4, ISO16750-2

For further information visit www.tyrilights.com or contact your local sales team.





1010 RECESS

LIGHT OUTPUT	VOLTAGE		AMP DRAW		POWER	COLOR TEMP	LENS PATTERN	PART NO.	EMC	ECE
	Machine	Operating	12 V	24 V	Watts	K			EN55025 / CISPR25	ECE Rating
850 eLm	12-48 V	9-60 V	1.4 A	0.7 A	17 W	5.700 K			5	-
1.400 eLm	12-48 V	9-60 V	1.5 A	0.8 A	19 W	5.700 K			5	-
1.900 eLm	12-48 V	9-60 V	2.4 A	1.2 A	29 W	5.700 K			5	-
2.500 eLm	12 V	9-18 V	1.8 A	- A	22 W	5.700 K			5	-
2.500 eLm	24 V	18-32 V	-	1.0 A	24 W	5.700 K			5	-
3.200 eLm	12-48 V	9-60 V	3.0 A	1.5 A	36 W	5.700 K	Medium Symmetric	CLF-113-1	5	-
							Wide Asymmetric	CLF-114-1		

LED work lights are exposed to dirt, fertilizers, road salt, acids and more. For best performance and long lifetime, the lens and the cooling fins must be cleaned on a regular basis.