



# 1010 IR

The 1010 IR uses infrared to deliver a robust and dependable solution. This light is intended to be used in conjunction with night vision cameras or IR detectors. The 1010 IR emitters improve night vision capabilities and are set up for 850 nm. This IR work light is manufactured to TYRI's stringent standards and has been subjected to testing for IP69K, vibration, salt spray, and EMC.



## TECHNICAL DATA

- Housing Material:** Cast Aluminium
- Mounting Options:** Hanging  
Standing
- Lens Material:** Polycarbonate
- Temperature range:** -40 to +85 °C
- Connector:** Deutsch (DT04-2P) built in.  
Mating part: DT06-2S
- Weight:** 1.15 g / 2.54 lbs
- Light Patterns:** Wide Symmetric  
Wide Asymmetric  
Spot

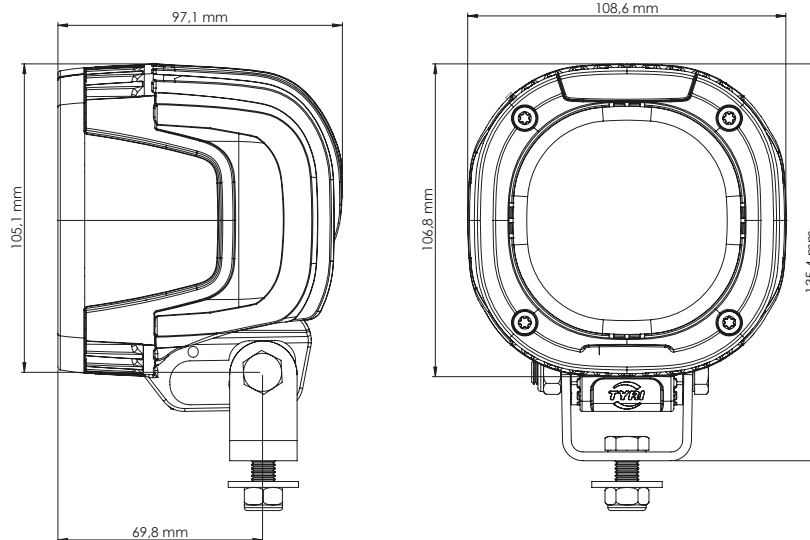
## FEATURES

- Overheating Protection
- Over-voltage Protection
- Polarity Protection
- Dampened

## TEST STANDARDS

- Salt Spray ASTM B117 500 h
- Vibration 5-2000 Hz 3 Axis, 10 Grms
- Shock Tested 50 G 11 ms
- IP69K
- EN55025 / CISPR 25 Class 3, ISO7637-2, ISO10605, ISO11452-2, ISO11452-4, ISO16750-2

For further information visit [www.tyrilights.com](http://www.tyrilights.com) or contact your local sales team.





# 1010 IR

VOLTAGE		AMP DRAW		POWER	DOMINANT WAVELENGTH	LENS PATTERN	PART NO.	EMC	ECE
Machine	Operating	12 V	24 V	Watts	nm			EN55025 / CISPR25	ECE Rating
12-48 V	9-60 V	1.2 A	0.6 A	14 W	850 nm	Wide Symmetric	CLD-521-1	3	-
						Wide Asymmetric	CLD-522-1		
						Spot	CLD-523-1		

LED work lights are exposed to dirt, fertilizers, road salt, acids and more. For best performance and long lifetime, the lens and the cooling fins must be cleaned on a regular basis.